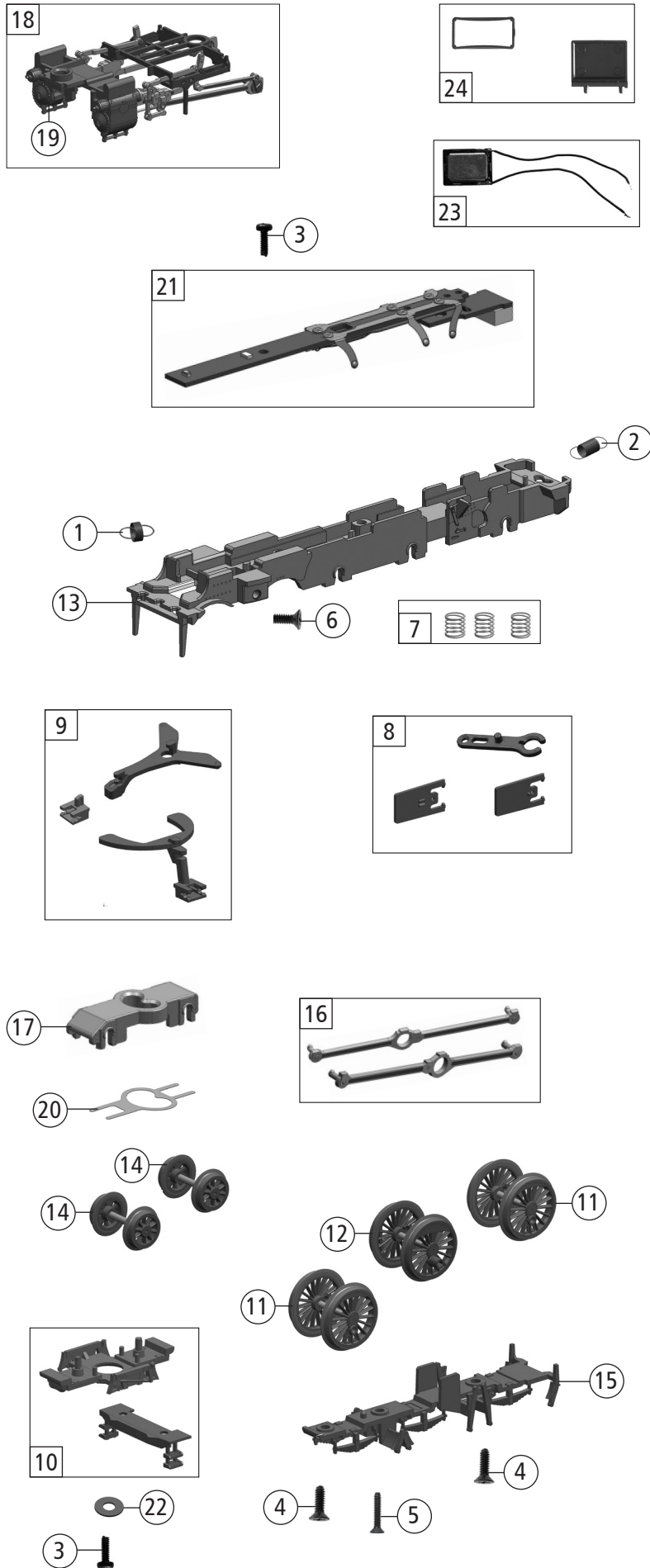
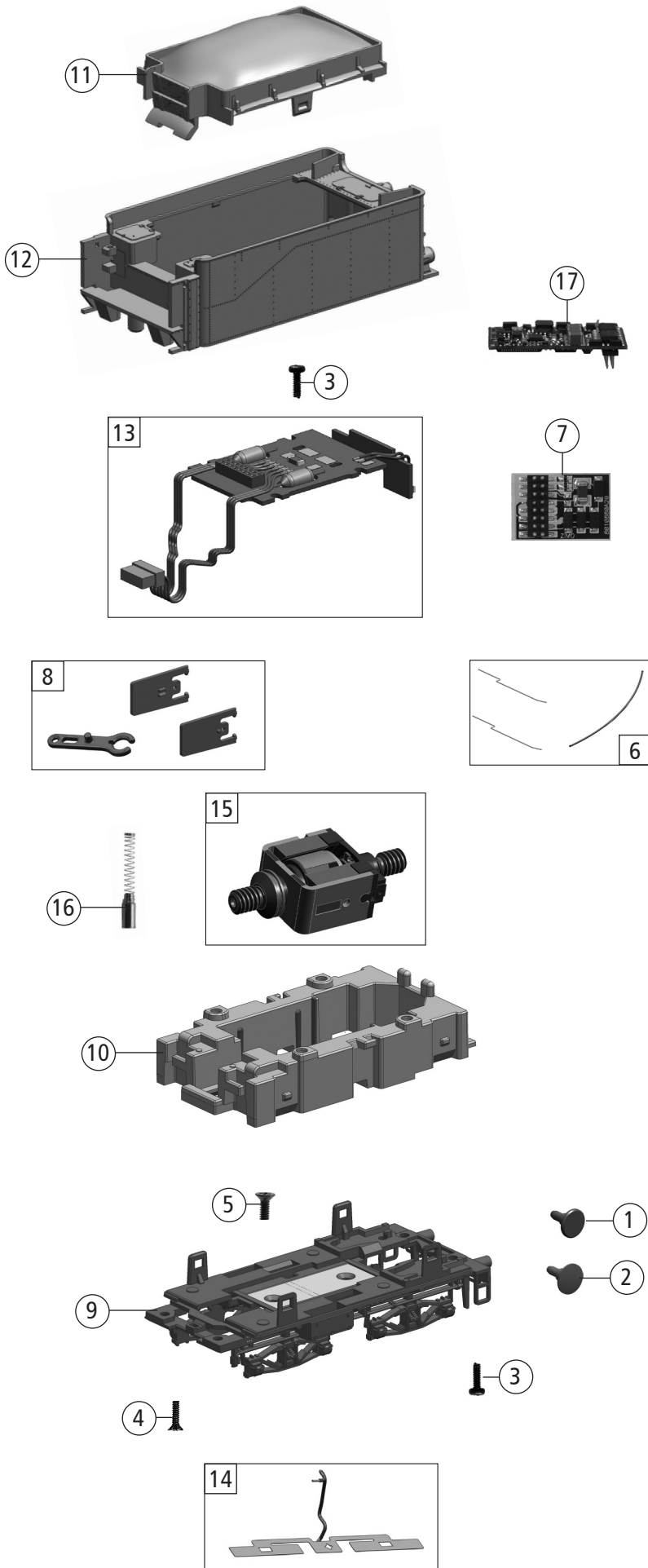


| Pos. Nr. Pos.no. | Beschreibung Description | Art.-Nr. Art.no. | Preisgruppe Price bracket |
|---------------------|---|---------------------|------------------------------|
| 1 | Puffer rund flach Buffer round flat | 107658 | 5 |
| 2 | Puffer rund gewölbt Buffer round curved | 107659 | 5 |
| 3 | GF-Schraube M2x6 mm Self-tapping screw M2x6 mm | 114828 | 3 |
| 4 | Kesselboden lackiert Boiler bottom painted | 132143 | 8 |
| 5 | Windleitblech links und rechts lackiert Smoke deflector left&right painted | 132144 | 10 |
| 6 | Rauchkammerdeckel lackiert Smoke box cover painted | 132147 | 8 |
| 7 | Nummernschild Number plate | 140920 | 8 |
| 8 | TS-Deckel, Lampen Part set cover, lamps | 132149 | 11 |
| 9 | TS- Rohrleitung Part set of pipe | 140921 | 8 |
| 10 | TS- Handrad, Ventil, Griffe Part set hand wheel, valves, handles | 132153 | 7 |
| 11 | TS-Fenster und Lichtleiter Part set window and light conductor | 132156 | 8 |
| 12 | TS- Führerhausfenster bedruckt Part set driver's cab window printed | 132157 | 10 |
| 13 | TS- Rohrleitungen, Auftritt Part set pipes, treadle | 132158 | 7 |
| 14 | TS-Lokgewicht, Scheibe Part set loco ballast, washer | 132174 | 12 |
| 15 | Umlaufblech Running board | 140917 | 20 |
| 16 | Kessel kpl. Betr.nr. 38 2528-8 Boiler ass. loco no. 38 2528-8 | 140918 | 30 |
| 17 | Führerhaus bedruckt Driver's cab printed | 140919 | 17 |

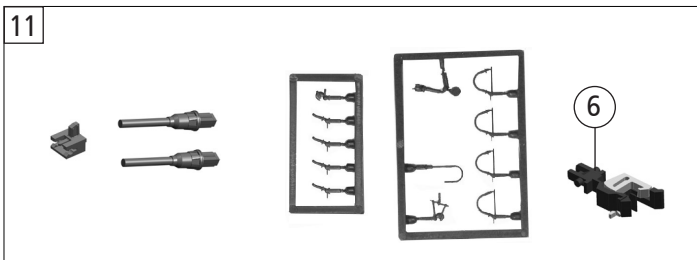
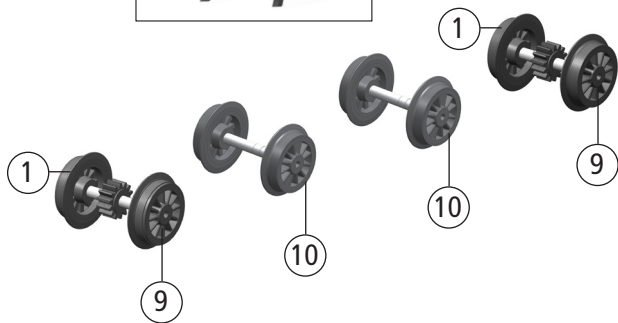
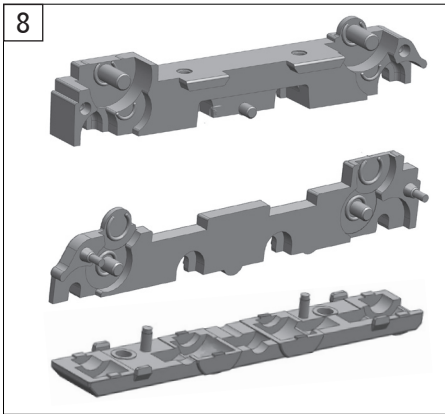
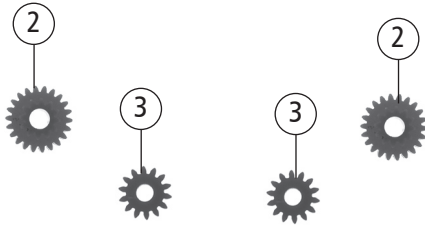
Änderungen in Konstruktion und Ausführung vorbehalten
We reserve the right to change the construction and specification



| Pos. Nr. Pos.no. | Beschreibung Description | Art.-Nr. Art.no. | Preisgruppe Price bracket |
|---------------------|---|---------------------|------------------------------|
| 36059 | DR BR 38 | = | |
| 36060 | | = | 🔊 |
| 1 | Zugfeder Draw spring | 86249 | 3 |
| 2 | Zugfeder Draw spring | 109832 | 3 |
| 3 | GF-Schraube M1,6x4 mm Self-tapping screw M1,6x4 mm | 114850 | 3 |
| 4 | SK-Schraube M1,6x5 SK-Screw M1,6x5 | 115317 | 4 |
| 5 | SK-Schraube M1,6x10 mm SK-Screw M1,6x10 mm | 116089 | 3 |
| 6 | SK-Schraube M1,6x3 mm SK-Screw M,6x3 mm | 125023 | 3 |
| 7 | TS-Federn Part set springs | 126616 | 9 |
| 8 | Lok-Tenderkupplung, Tendertür Coupling between loco a. tender, tender door | 132154 | 8 |
| 9 | TS- Deichsel, Platten Part set drawbar, plates | 132806 | 7 |
| 10 | TS-Vorlaufgestellbod., Treppen Part set carrying wheelset floor, treadles | 132159 | 7 |
| 11 | Treibradsatz 3 Driving wheelset 3 | 132160 | 12 |
| 12 | Treibradsatz 2 Driving wheelset 2 | 132161 | 12 |
| 13 | Lokgrundrahmen Loco basic frame | 132162 | 19 |
| 14 | Vorlaufradsatz Set of carrying wheels (front) | 132163 | 10 |
| 15 | Lokboden Loco bottom | 132164 | 6 |
| 16 | TS- Kuppelstangen Part set coupling rod | 140915 | 11 |
| 17 | Vorlaufgestell Bogie frame | 132180 | 11 |
| 18 | Steuerung kpl. Reversing gear complete | 140910 | 24 |
| 19 | Zylinderblock Cylinder block | 132182 | 10 |
| 20 | Radkontakt Vorlaufradsätze Wheel contact for carrying wheels (front) | 132183 | 6 |
| 21 | Kesselplatine Printed circuit board for boiler | 132184 | 24 |
| 22 | Beilagscheibe Washer | 132185 | 3 |
| Sound | | | |
| 23 | Lautsprecher Loudspeaker | 129524 | 16 |
| 24 | TS-Lautsprechergehäuse und Halter Part set loudspeaker body and holder | 132145 | 7 |



| Pos. Nr. Pos.no. | Beschreibung Description | Art.-Nr. Art.no. | Preisgruppe Price bracket |
|---------------------|---|---------------------|------------------------------|
| 1 | Puffer rund flach Buffer round flat | 107658 | 5 |
| 2 | Puffer rund gewölbt Buffer round curved | 107659 | 5 |
| 3 | GF-Schraube M1,6x4 mm Self-tapping screw M1,6x4 mm | 114850 | 3 |
| 4 | SK-Schraube M1,6x4 mm SK-Screw M1,6x4 mm | 115161 | 3 |
| 5 | SK-Schraube M1,6x3 mm SK-Screw M1,6x3 mm | 125023 | 3 |
| 6 | TS -Federn Part set springs | 126631 | 10 |
| 7 | Brückenstecker Connector | 129630 | 8 |
| 8 | Lok-Tenderkupplung, Tendertür Coupling between loco a. tender, tender door | 132154 | 8 |
| 9 | Tenderrahmen Tender frame | 132165 | 10 |
| 10 | Tendergrundrahmen Tender basic frame | 132173 | 14 |
| 11 | Tenderoberenteil Tender upper part | 132179 | 12 |
| 12 | Tendergehäuse Tender body | 140916 | 19 |
| 13 | Tenderplatine Printed circuit board for tender | 132187 | 24 |
| 14 | Tenderradkontakt kpl. mit Litze Tender wheel contact complete w. lead | 132188 | 8 |
| 15 | Motor Motor | 133913 | 32 |
| 16 | Kohlebürste und Feder Carbon brush and spring | 133936 | 10 |
| Sound | | | |
| 17 | Sounddecoder Sound-decoder | 142581 | 39 |



| Pos. Nr. Pos.no. | Beschreibung Description | Art.-Nr. Art.no. | Preisgruppe Price bracket |
|---------------------|--|---------------------|------------------------------|
| 1 | Haftring N-Spur 7,8 mm 10 Stk. Set w. traction tyres 10pieces 7,8mm | 85617 | 10 |
| 2 | Schneckenzahnrad Z=22/12 M=0,3 Worm gear wheel Z=22/12 M=0,3 | 86482 | 4 |
| 3 | Zahnrad Z=14 gerade M=0,3 Gear wheel Z=14 straight M=0,3 | 86496 | 3 |
| 4 | Radachsenfeder gebogen Curved axle spring | 133914 | 5 |
| 5 | SK-Schraube M1,6x5 SK-Screw M1,6x5 | 115317 | 4 |
| 6 | TT Profi Steckkupplung TT-Profi coupling | 130090 | 6 |
| 7 | Bremsbacken Tender Brake shoes for Tender | 132167 | 7 |
| 8 | Getriebeatz 3-teilig Gear set 3-parts | 132177 | 16 |
| 9 | Radsatz m.2Haftringen,mit Zahnrad Wheelset w. 2 traction tyres w.gear wheel | 132190 | 12 |
| 10 | Radsatz o. Haftring o.Zahnrad Wheelset w/o traction tyre w/o gear wheel | 132192 | 10 |
| 11 | Zurüstbeutel Bag w. accessories | 132798 | 12 |